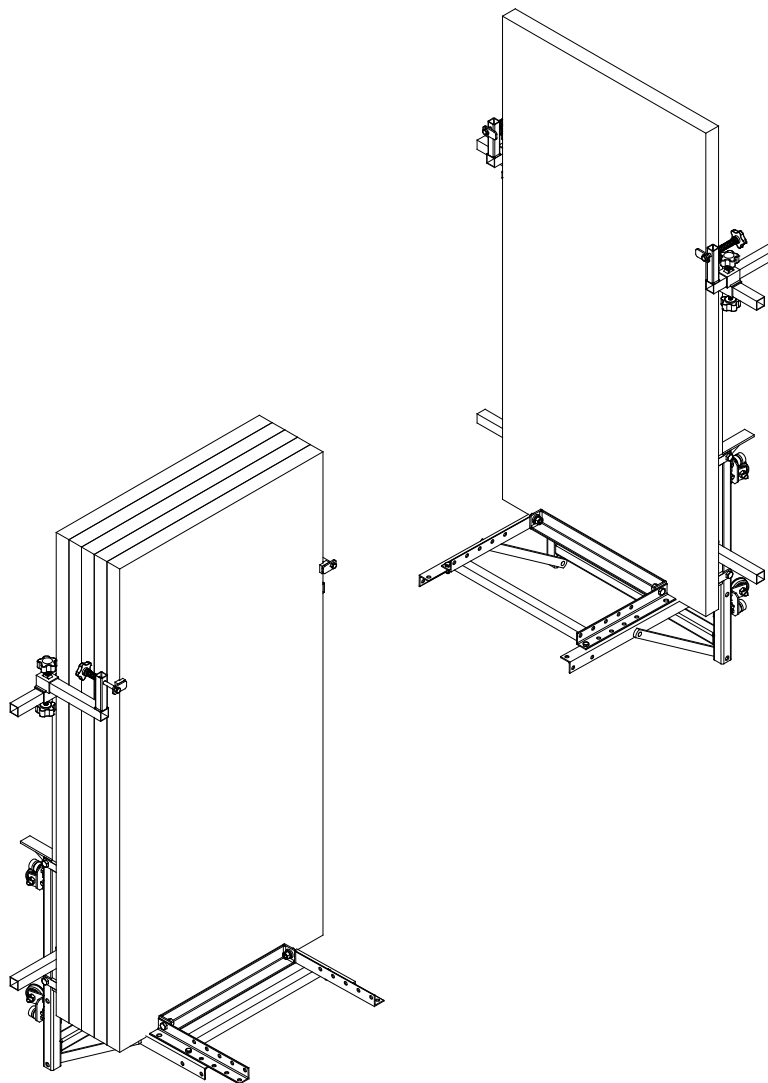




PIVOTING PLATFORM SOLAR PANEL CARRIER INSTRUCTIONS



REIMANN & GEORGER CORPORATION
HOISTING PRODUCTS
P/N 6102087

BUFFALO, NY
6/4/13

INSTALLATION AND SETUP

1. The Pivoting Platform Solar Panel Carrier mounts onto the Pivoting Platform hoist. The Pivoting Platform Hoist has a carrying capacity of 400 pounds. The Solar Panel Carrier has the ability of carrying up to 5 solar panels at a time. **(NOTE: The carrier can carry up to 5 solar panels as long as the total weight of all of the panels together does not exceed 400 lb. Overloading the carrier could result in equipment damage and personal injury.)**
2. Mount the frame angles (1 & 2) onto the carriage of the Pivoting Platform with hardware as shown in Figure 1. Finger-tighten the hardware, do not fully tighten.
3. With the frame angles in place, mount the support tubes (3) as shown in Figure 2. Finger-tighten the hardware.
4. Mount the lower adjustable stop angles as shown in Figure 3. Orient the lower stop angle (5) with the foam-lined leg facing toward where the solar panel will be placed. The lower stop side angles (4) can be positioned to locate the stop angle (5) closer or further on the carrier. Adjust the angles to the desired location to accommodate the number of panels that will be carried up.
5. With all of the components of the carrier in place, fully tighten the hardware to secure the carrier onto the carriage of the Pivoting Platform Hoist.
6. Install the upper clamp assembly (6) as shown in Figure 4. Use the knobs (13) on the upper clamp adjusting tube (12) to locate the clamp assembly onto the support tube. The bottom knob secures the clamp adjusting tube (12) to the desired location on the support tube, the top knob secures the spring adjustment tube (11). Adjust the clamp assembly accordingly to clamp on to the number of solar panels that will be carried on the carrier as shown in Figure 5.
7. With the solar panel in place, turn the spring bolts (10) so they grip onto the frame of the solar panel as shown in Figure 6.

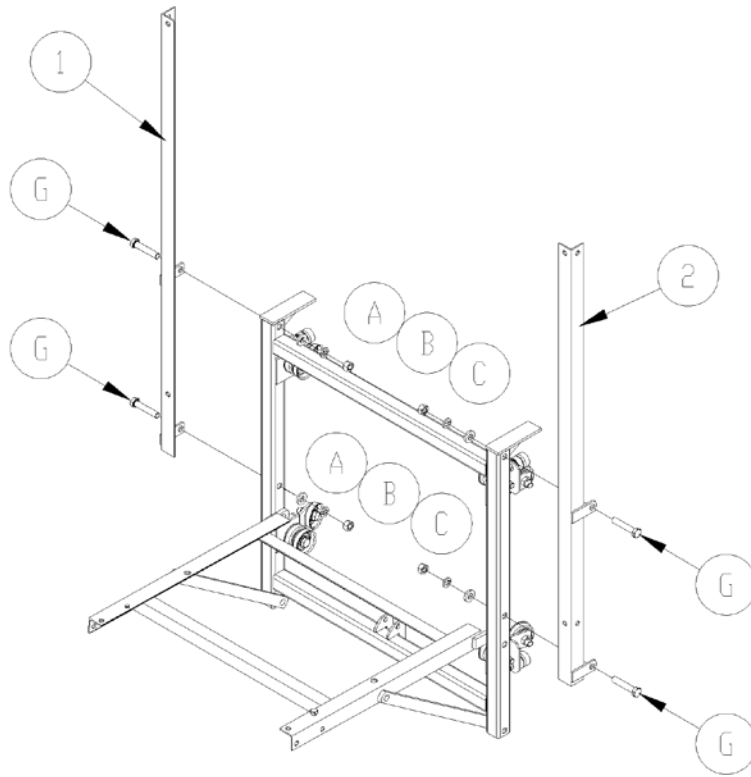


Figure 1
Mounting Frame Angles to Carriage

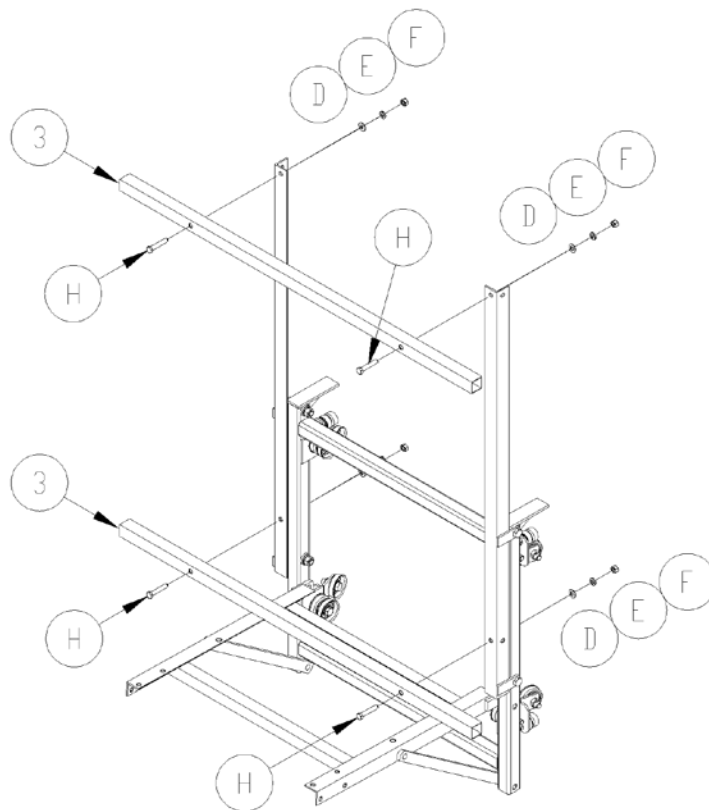


Figure2
Mounting Support Tubes to Frame Angles

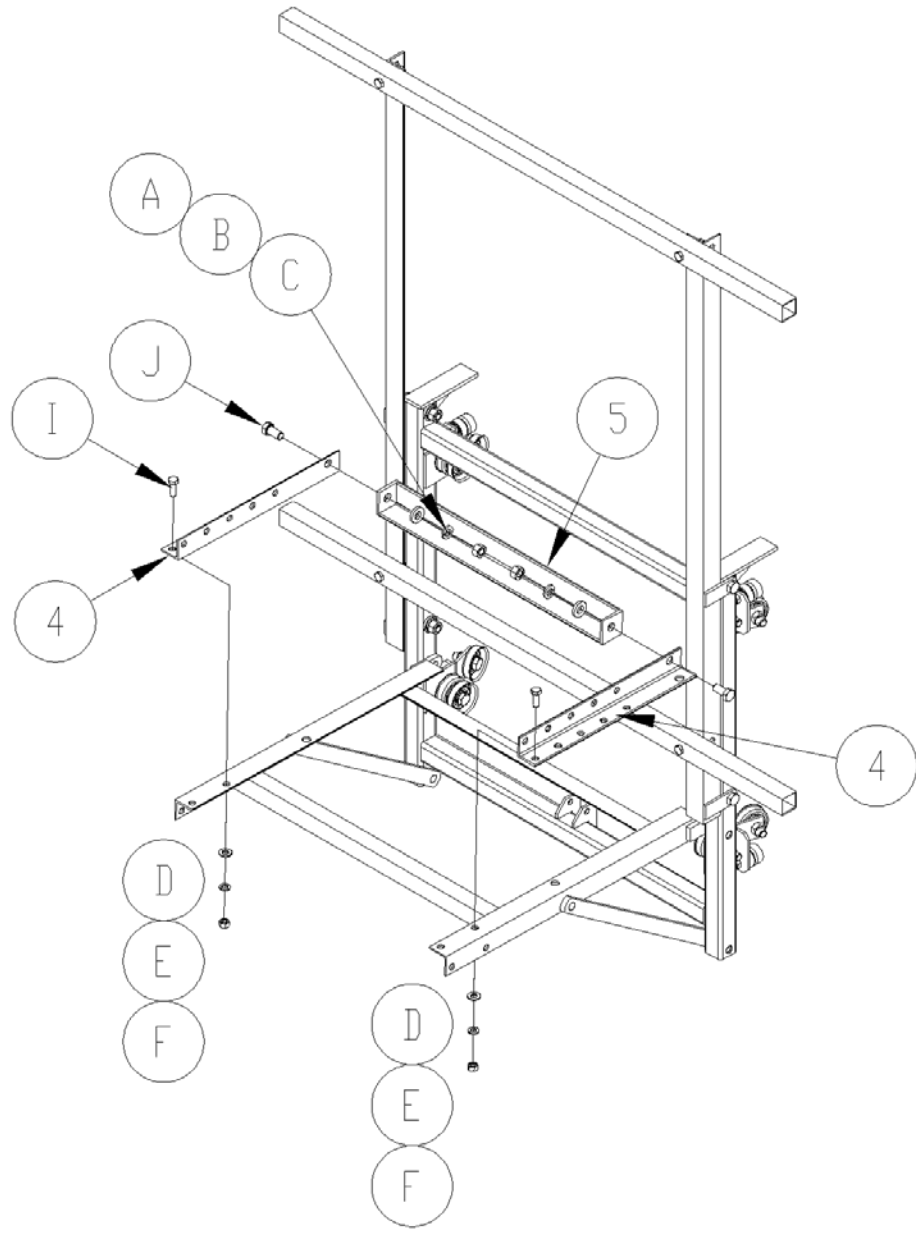


Figure 3
Mounting Lower Adjusting Stop

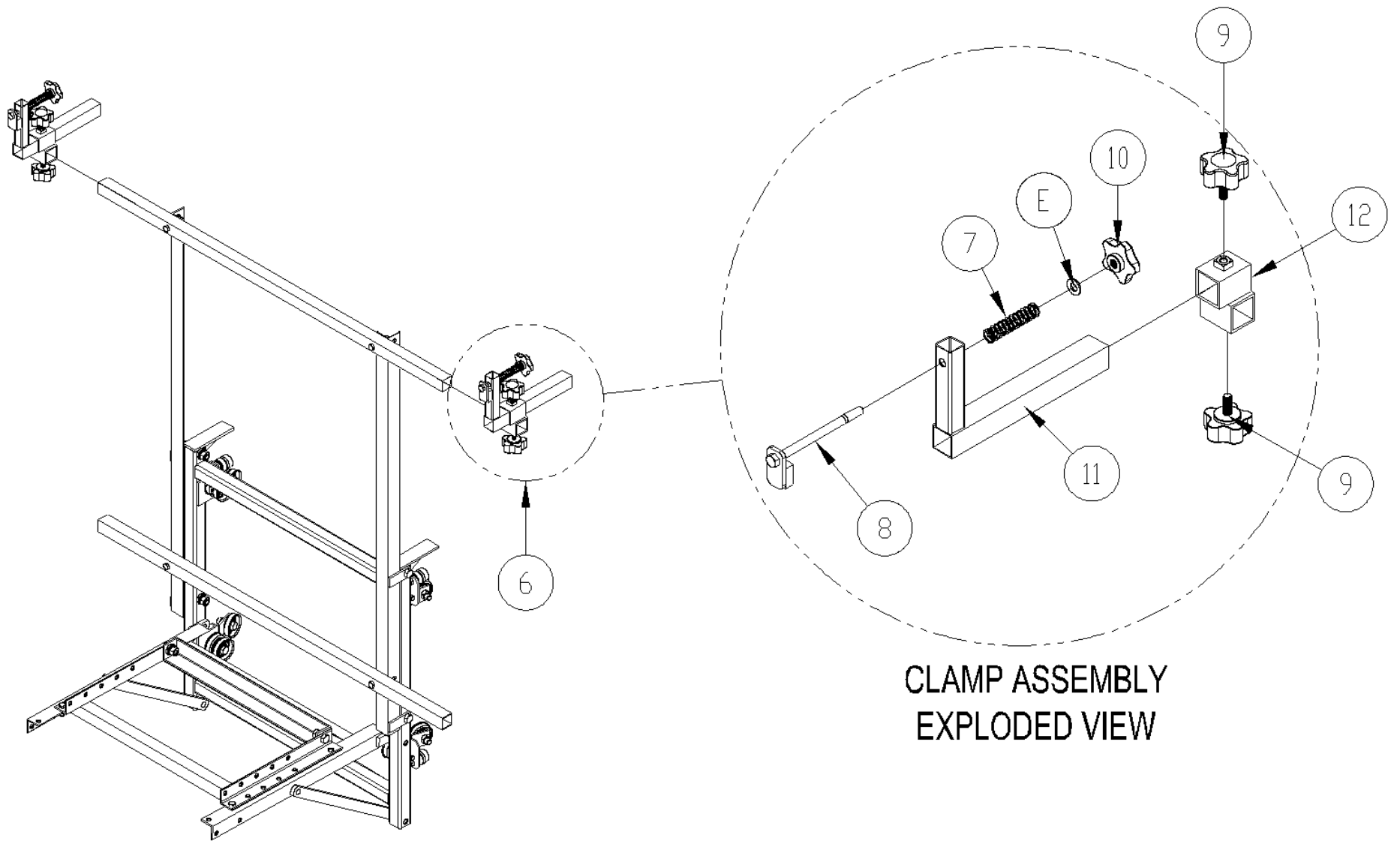


Figure 4
Spring Clamp Assembly

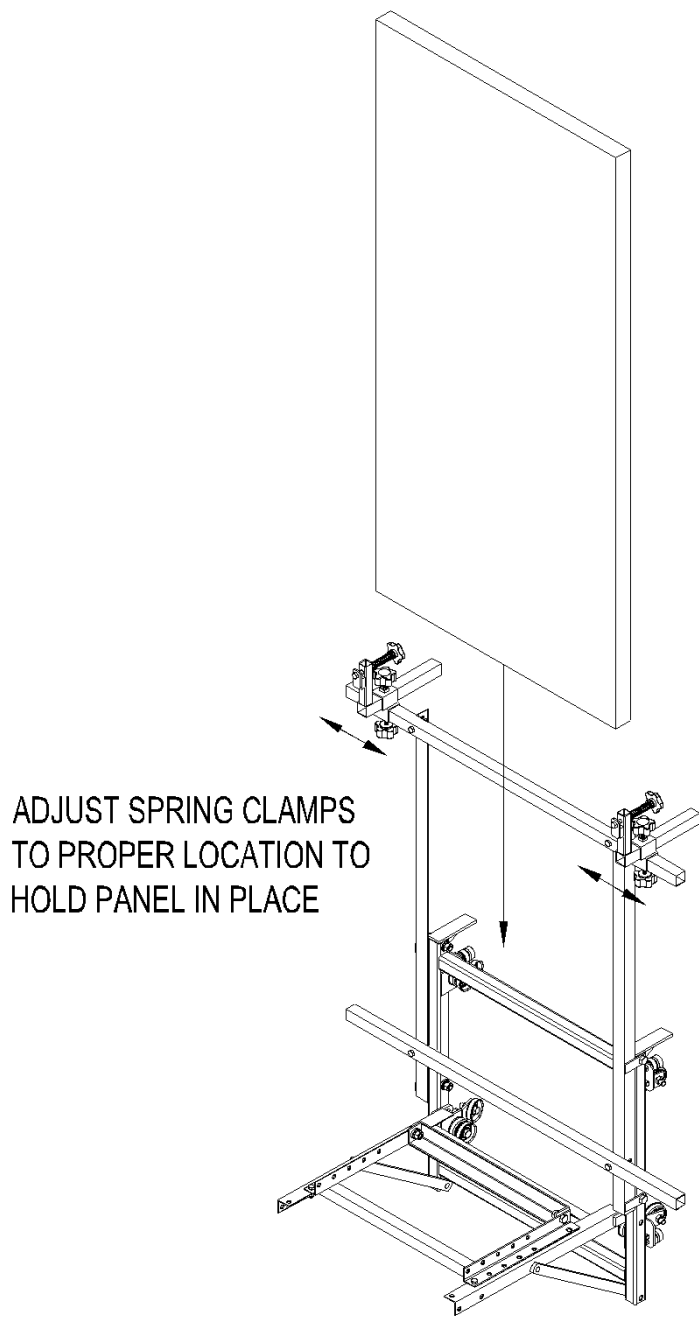


Figure 5
Solar Panel Placement in Carrier

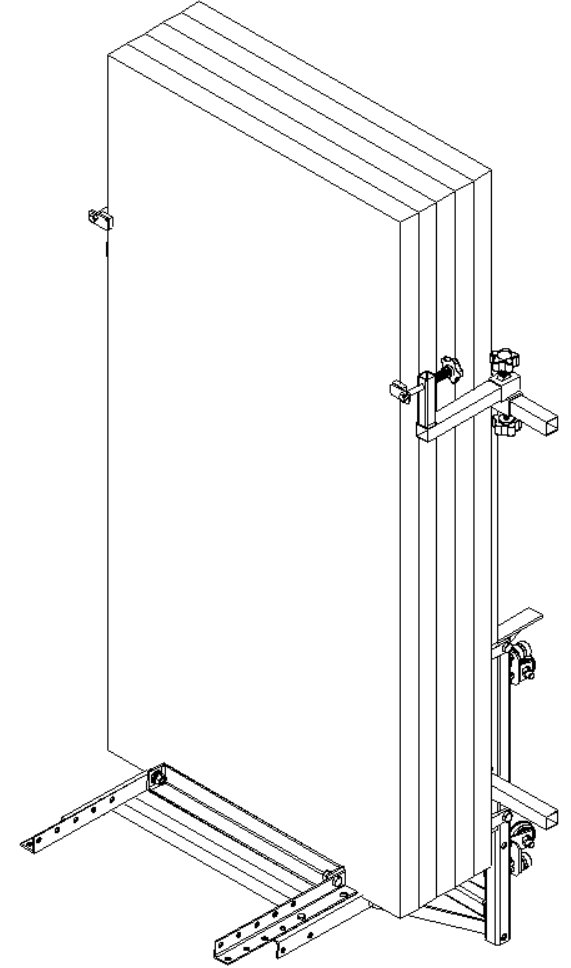
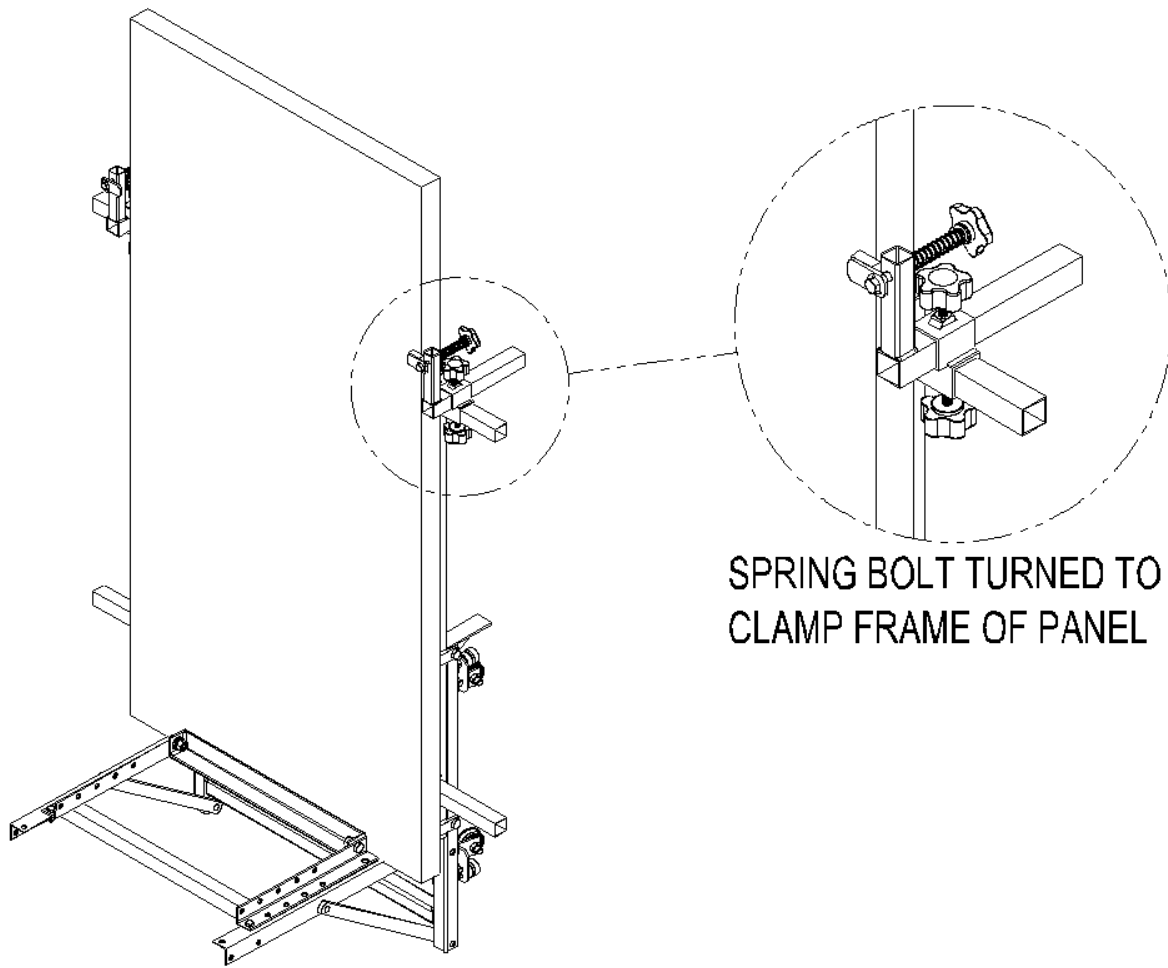


Figure 6
Spring Bolt Turned to Clamp Frame of Solar Panel
(Shown with 1 panel and fully loaded with 5 panels)

PARTS LIST

REF#	PART#	QTY	DESCRIPTION
1	0446330	1	FRAME ANGLE – RH
2	0446325	1	FRAME ANGLE – LH
3	0446422	2	CARRIER SUPPORT TUBE
4	0446416	2	LOWER SIDE ADJUSTING ANGLE
5	0446215	1	LOWER ADJUSTING ANGLE
6	0446220	2	SPRING CLAMP ASSEMBLY consisting of:
7	5804496	2	SPRING
8	0445125	2	SOLAR PANEL CARRIER SPRING BOLT
9	5804650	4	KNOB MALE 3/8-16 X 1
10	5804459	2	KNOB FEMALE 3/8-16
11	0446340	2	ADJUSTABLE SPRING CLAMP TUBE
12	0446345	2	CLAMP ADJUSTMENT TUBE
D	5806406	2	WASHER FLAT SAE 3/8 CZP
	0446210	1	BAG OF BOLTS consists of:
A	5806400	6	WASHER FLAT SAE 1/2 CZP
B	5800120	6	WASHER SPLIT LOCK 1/2 CZP
C	5800118	6	NUT HEX 1/2-13 CZP
D	5806406	6	WASHER FLAT SAE 3/8 CZP
E	5800119	6	WASHER SPLIT LOCK 3/8 CZP
F	5806377	6	NUT HEX 3/8-16 CZP
G	5806286	4	HHCS 1/2-13 X 2-1/2 CZP
H	5806251	4	HHCS 3/8-16 X 2 CZP
I	5806247	2	HHCS 3/8-16 X 1 CZP
J	5806280	2	HHCS 1/2-13 X 1 CZP