

## Pivoting Platform Hoist Plywood Carrier Attachment

1. Remove the #18 platform stops.
2. Remove the two #16 platform braces and #17 platform frame.
3. Attach the two plywood/truss carrier adapter brackets as shown in fig. #2B using the supplied bag of bolts (p/n 0410239).
4. Attach the two plywood/truss carrier brackets in the adapter brackets as shown in fig. #2B using the supplied bag of bolts (p/n 0410239).
5. Sheets of plywood can be placed on the carrier with either the 4 foot or 8 foot dimension “up.” If the 8 foot dimension is up (vertical), the weight of the sheets will automatically tilt the stack when the carrier reaches the top of the track. If the 4 foot dimension is up, more care must be taken to balance the stack. The worker unloading must tilt the stack into the horizontal plane to slide it out of the carrier.
6. Material should be held against the track with a rope fastened to the carrier as shown below. The loose end is held by the worker above. Keep the rope taut as the load is raised. Raise material slowly when nearing the top of the track.

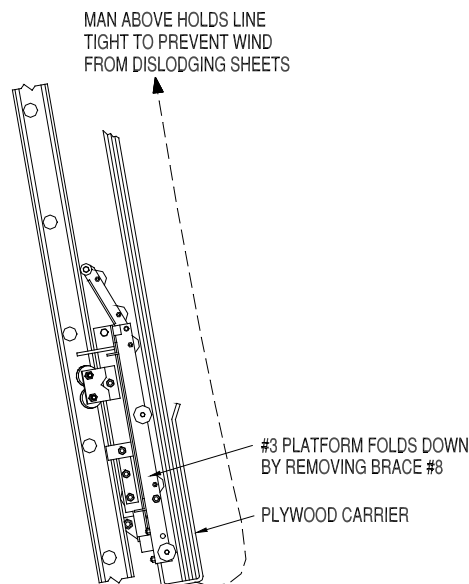
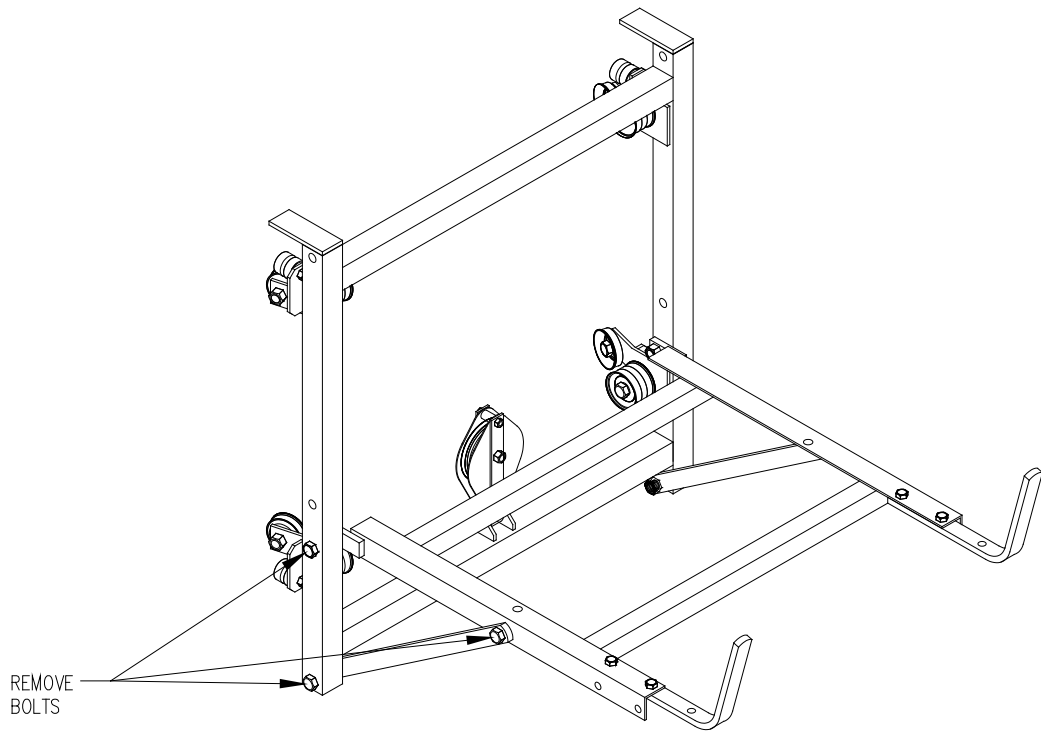
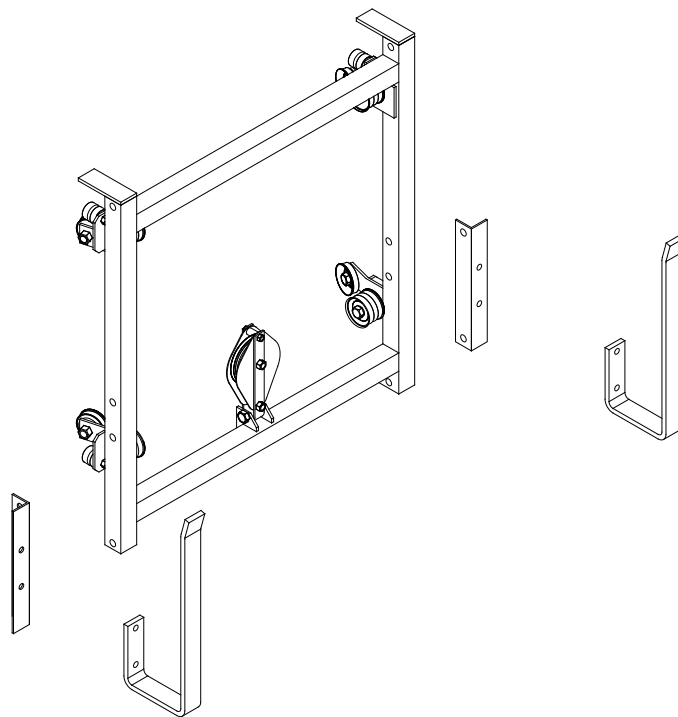


Fig. #1



**Fig #2A**



**Fig #2B**