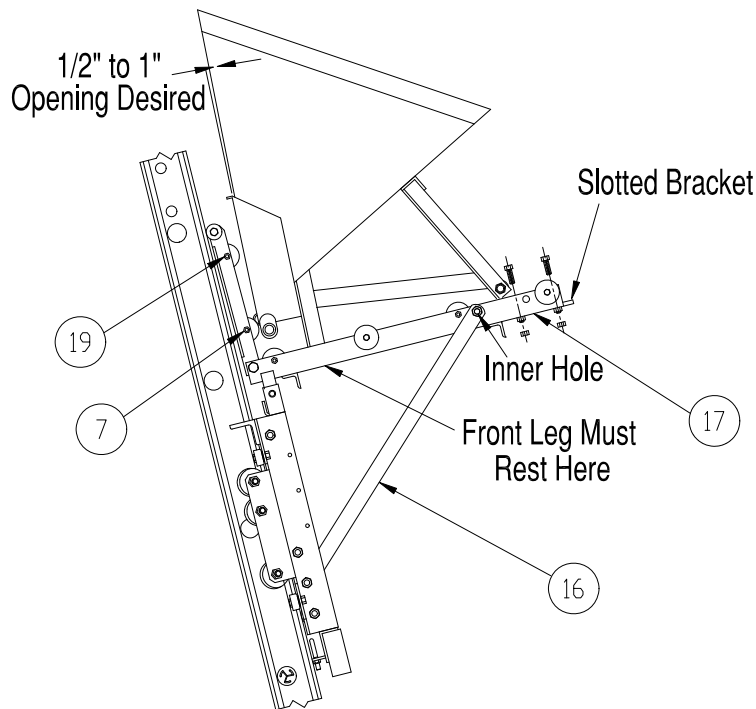


Gravel Hopper Attachment

The Gravel Hopper is designed for use on the 400 lb. model Platform Hoist only. You must install a Telescope Support when using a Gravel Hopper regardless of track length.

1. Place the #16 braces in the inner holes of the #17 platform.
2. The hinged brackets on the base of the hopper opposite the front legs are mounted to the platform using the loose bolts provided. Before tightening these bolts, be sure that both front legs of the hopper are resting solidly on the platform. If this is not done, excessive load will be placed on the #19 wheels, causing undue wear. The brackets are slotted for this adjustment. When the hopper is properly placed, the discharge gate will be slightly open as shown below.
3. In operation, when the platform reaches the top, the #7 pivot bracket goes over the top of the rails. The discharge gate on the hopper opens and dumps the load into the waiting wheelbarrow or spreader.



Gravel Hopper Assembly
(Used on 400 lb. hoists with the Telescope Support only.)